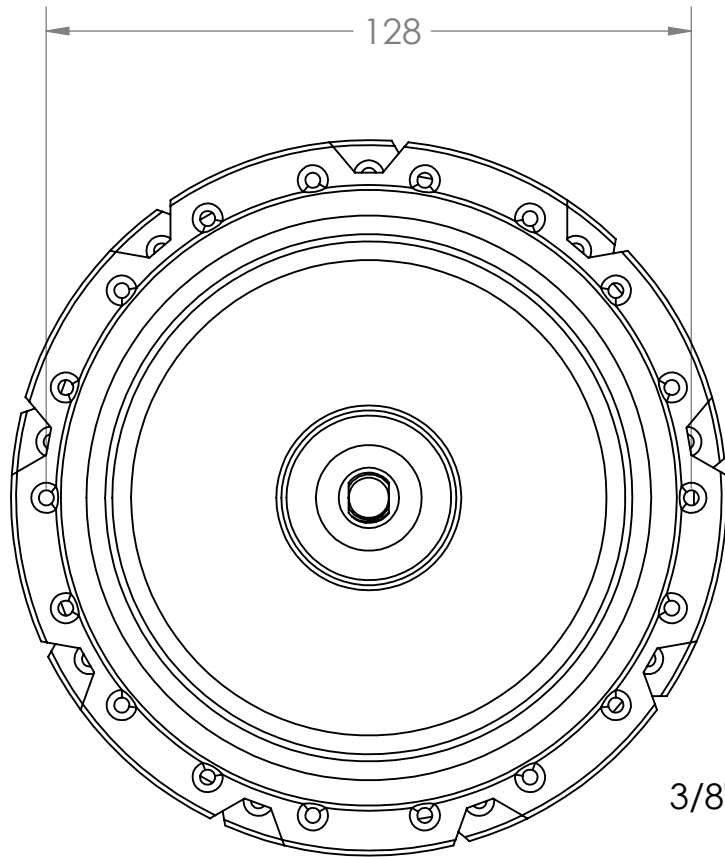
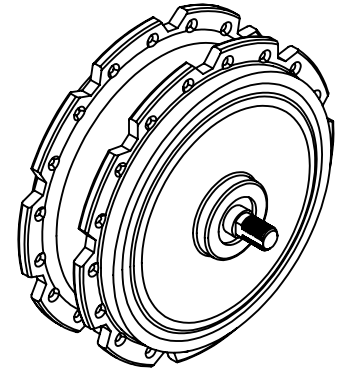
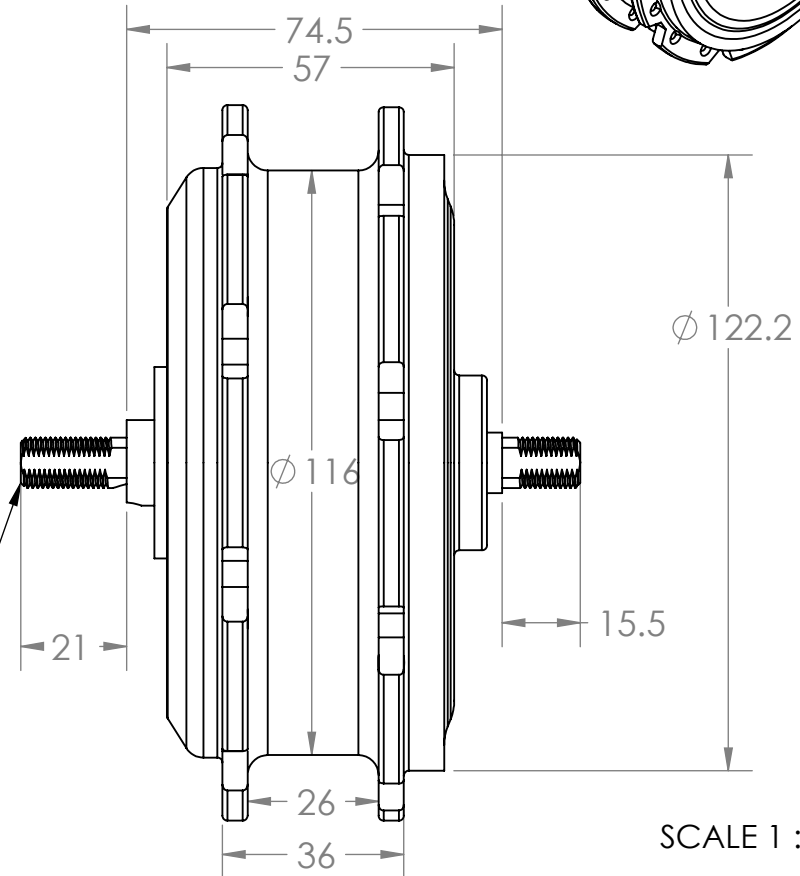


Gear Ratio: 6:1  
 Magnetic Pole Pairs: 8 (48 effective)  
 6 speed pulses/revolution  
 Connector: Higo Z910  
 Righth Side Axle Cable Exit  
 Wire Length 220mm



SCALE 1 : 1.5

3/8" x 26TPI



SCALE 1 : 1.5

PART NO:  
SOPF-74

REVISION:  
0

DRAWN: Justin  
DATE: 09/09/2019

MATERIAL:  
WEIGHT: 1.82kg

DESCRIPTION:  
Geared Motor for Brompton Fork

UNLESS OTHERWISE SPECIFIED:  
DIMENSIONS IN MM  
TOLERANCES ± 1  
TWO PLACE DECIMAL ±

SURFACE FINISH:  
SCALE: 2:3



PROPRIETARY AND CONFIDENTIAL  
 THE INFORMATION CONTAINED IN THIS  
 DRAWING IS THE SOLE PROPERTY OF  
 GRIN TECHNOLOGIES. ANY  
 REPRODUCTION IN PART OR AS A WHOLE  
 WITHOUT THE WRITTEN PERMISSION OF  
 GRIN TECHNOLOGIES IS  
 PROHIBITED.