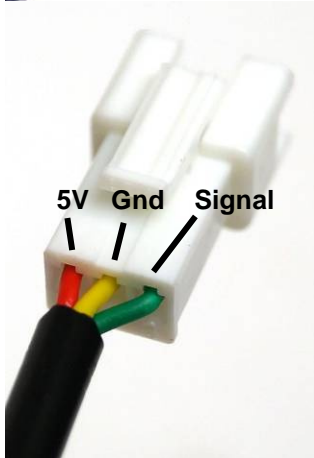
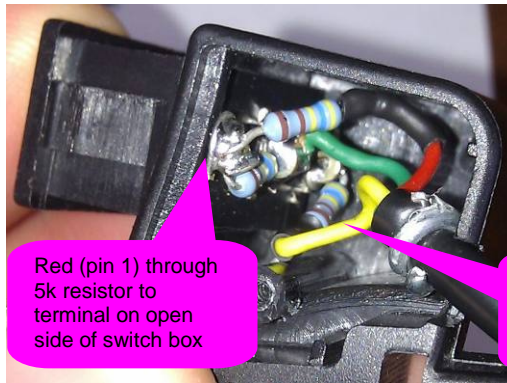
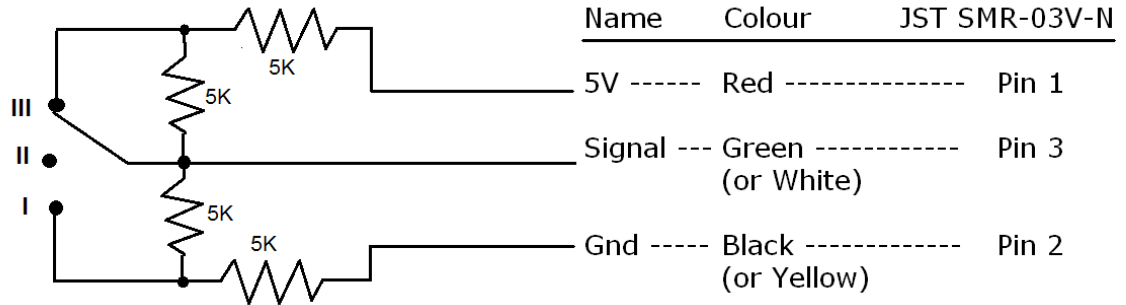


3 Speed Switch Resistor Wiring for Ebikes.ca



- Cable length: 30cm
- Connector: JST Mfg Co. SMR-03V-N (White)
- Pins: 3pcs JST Mfg Co. SYM-001T-P0.6
- 1pc black heatshrink over connector