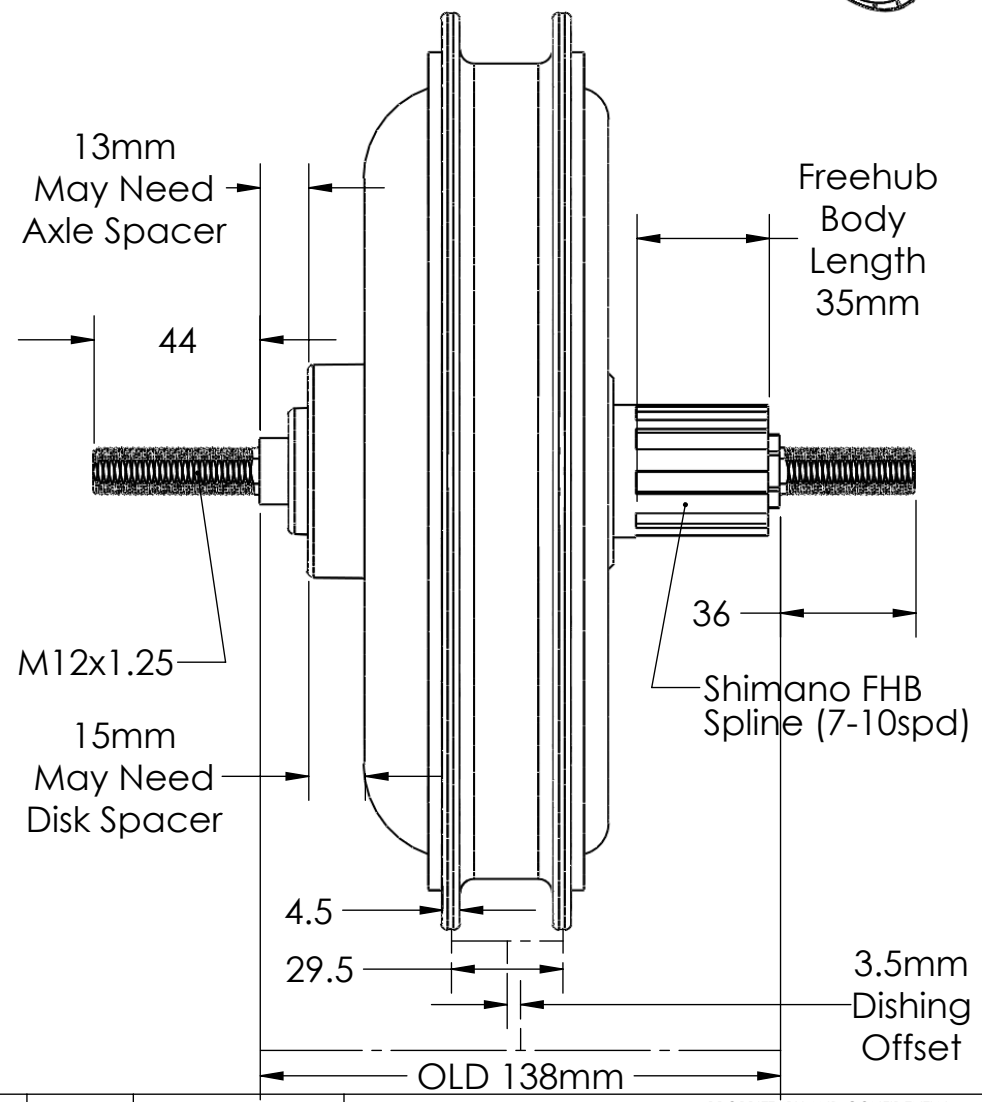
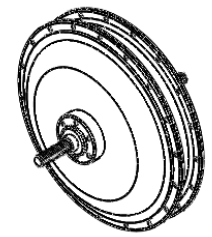
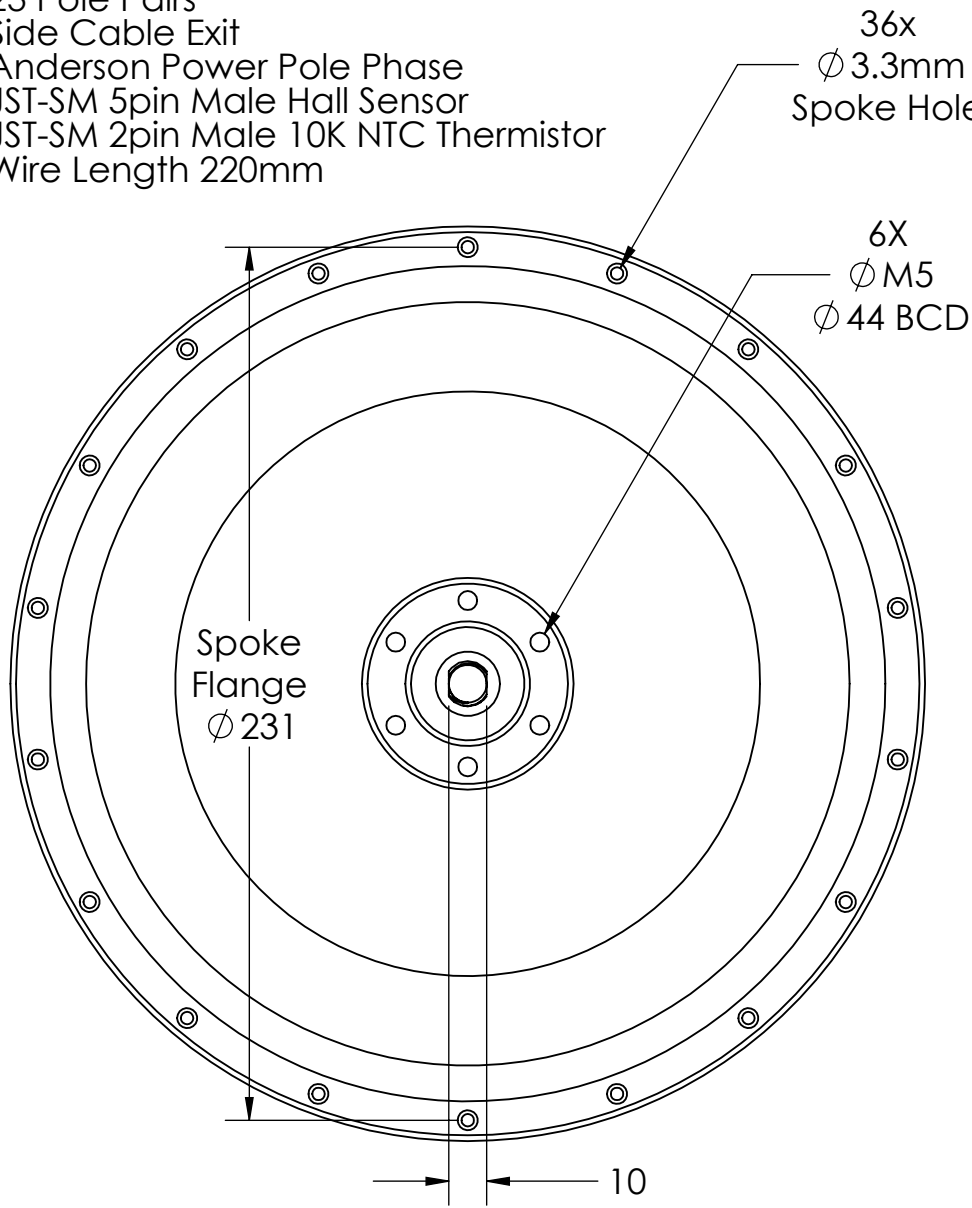


23 Pole Pairs
 Side Cable Exit
 Anderson Power Pole Phase
 JST-SM 5pin Male Hall Sensor
 JST-SM 2pin Male 10K NTC Thermistor
 Wire Length 220mm



PART NO: MX300xRC	REVISION: 0
DESCRIPTION: MXUS 30mm Rear Cassette Motor	

DRAWN: Robbie	MATERIAL:
DATE: 01/11/2018	WEIGHT: 6400 g
UNLESS OTHERWISE SPECIFIED: DIMENSIONS IN MM TOLERANCES \pm 1	SURFACE FINISH:
	SCALE: 1:2



PROPRIETARY AND CONFIDENTIAL
 THE INFORMATION CONTAINED IN THIS
 DRAWING IS THE SOLE PROPERTY OF
 GRIN TECHNOLOGIES. ANY
 REPRODUCTION IN PART OR AS A WHOLE
 WITHOUT THE WRITTEN PERMISSION OF
 GRIN TECHNOLOGIES IS
 PROHIBITED.