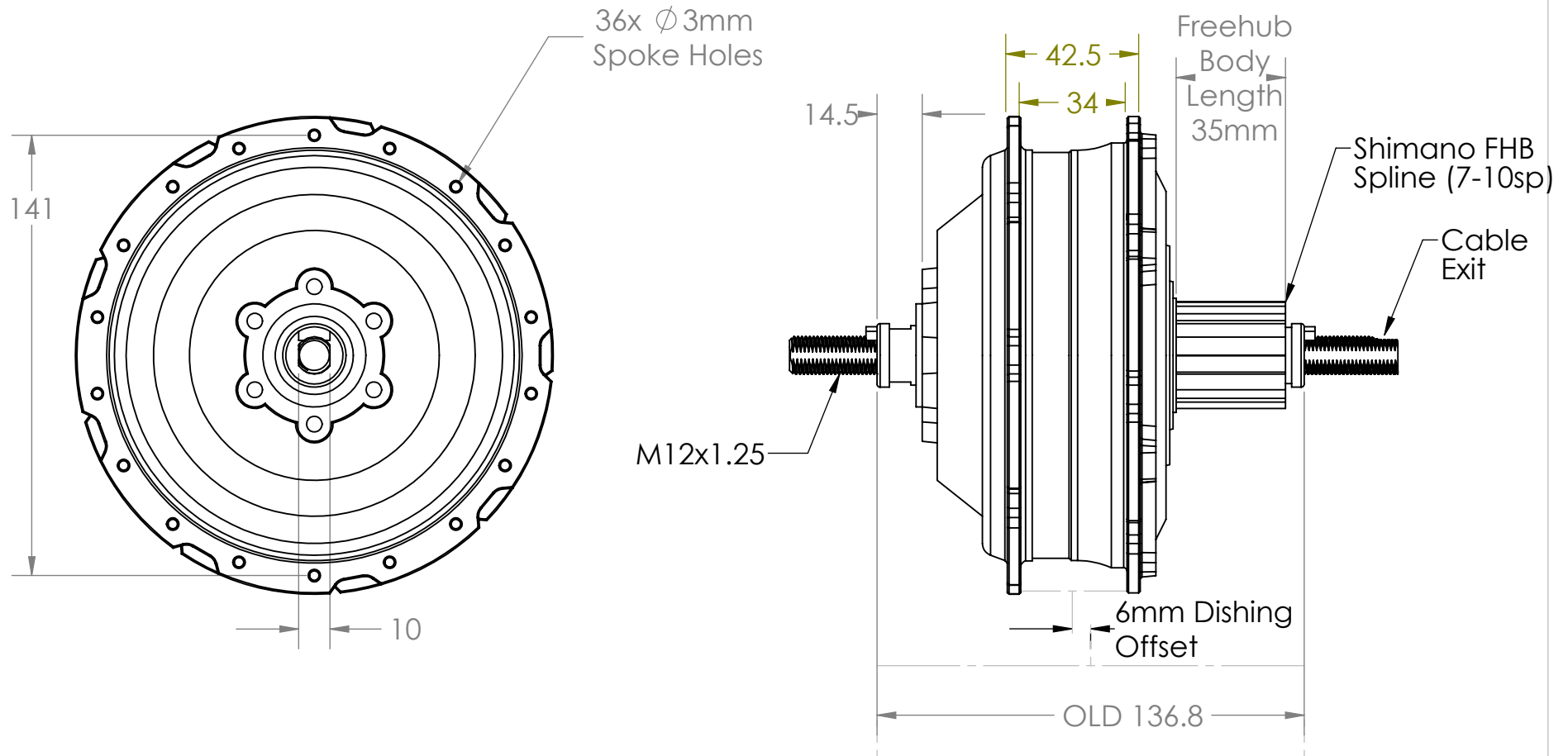
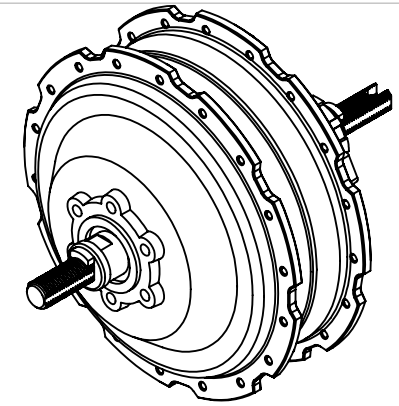



Gear Ratio: 4.83:1
 Magnetic Pole Pairs: 15 (72 effective)
 Connector: Higo Z910 combined Speedo/Therm
 Thermistor: 10K NTC, B3450
 Speedometer: 6 Pulse / Rev
 Axle End Cable Exit (Freehub Side)
 Wire Length 220mm



PART NO: Shengyi SX2	REVISION: 0	DRAWN: Justin	MATERIAL:		PROPRIETARY AND CONFIDENTIAL THE INFORMATION CONTAINED IN THIS DRAWING IS THE SOLE PROPERTY OF GRIN TECHNOLOGIES. ANY REPRODUCTION IN PART OR AS A WHOLE WITHOUT THE WRITTEN PERMISSION OF GRIN TECHNOLOGIES IS PROHIBITED.
		DATE: 14/09/2020	WEIGHT: 3.2 kg		
DESCRIPTION: Helical Geared Rear Hub Motor		UNLESS OTHERWISE SPECIFIED: DIMENSIONS IN MM TOLERANCES ± 1 TWO PLACE DECIMAL ±	SURFACE FINISH: Black		
			SCALE: 1:2		