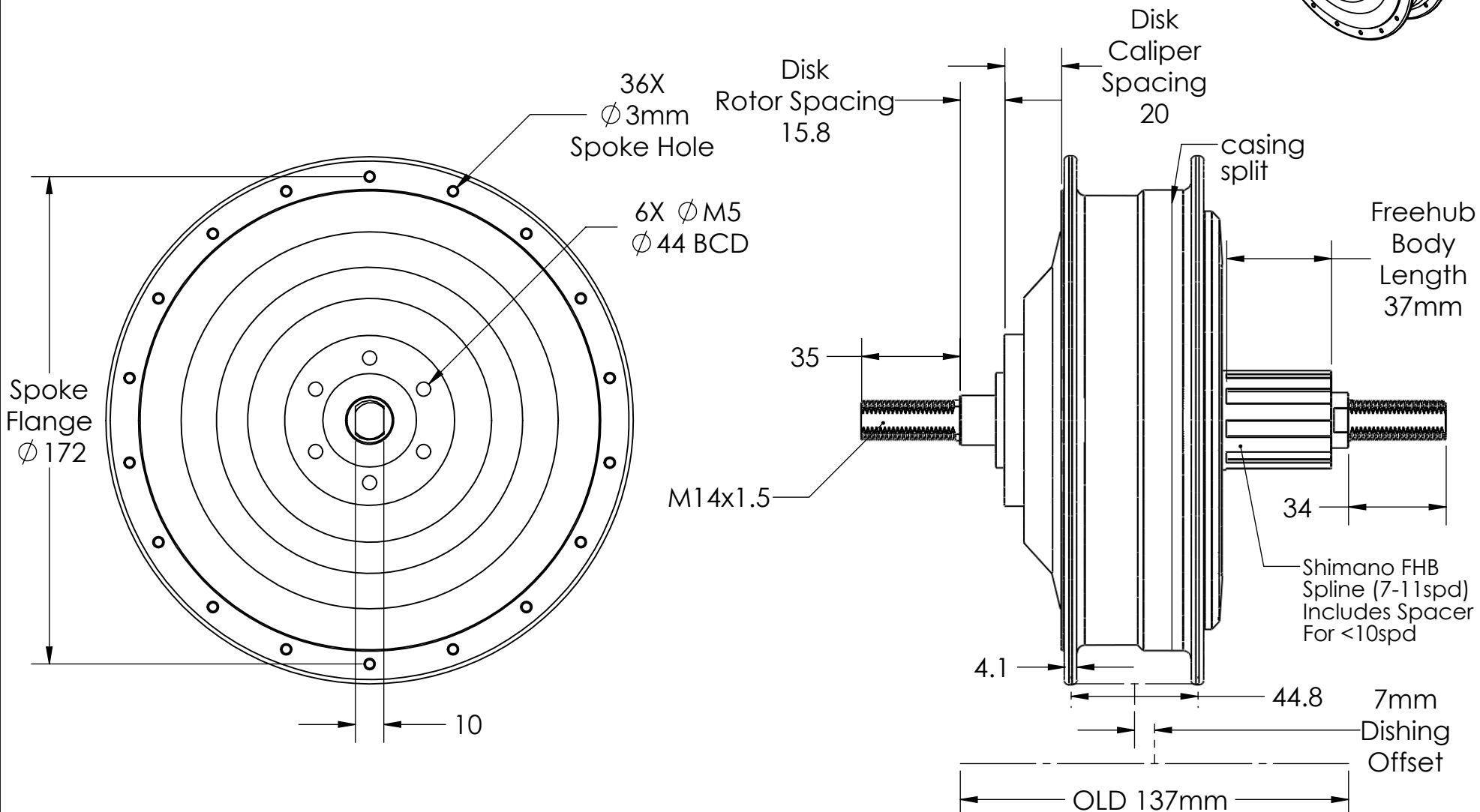
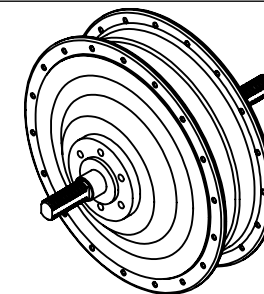


Gear Ratio: 5:1  
 Magnetic Pole Pairs: 16 (80 effective)  
 Anderson Power Pole Phase Wires  
 JST-SM 5pin Male Hall Sensors  
 Disk Side Axle Cable Exit  
 Wire Length 330mm

Motor is a two-part casing. Requires delacing from rim for service



PART NO: <b>MeZeeXXXRC</b>	REVISION: 0
DESCRIPTION: <b>eZee Rear Cassette Motor (11spd FHB)</b>	

DRAWN: Robbie	MATERIAL:
DATE: 01/12/2018	WEIGHT: 3940 g
UNLESS OTHERWISE SPECIFIED: DIMENSIONS IN MM TOLERANCES $\pm$ 1	SURFACE FINISH:
	SCALE: 1:2

PROPRIETARY AND CONFIDENTIAL  
 THE INFORMATION CONTAINED IN THIS DRAWING IS THE SOLE PROPERTY OF GRIN TECHNOLOGIES. ANY REPRODUCTION IN PART OR AS A WHOLE WITHOUT THE WRITTEN PERMISSION OF GRIN TECHNOLOGIES IS PROHIBITED.