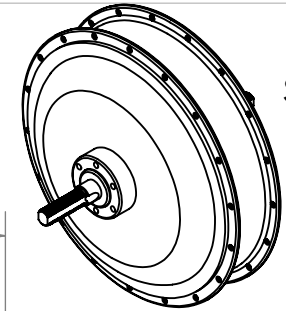
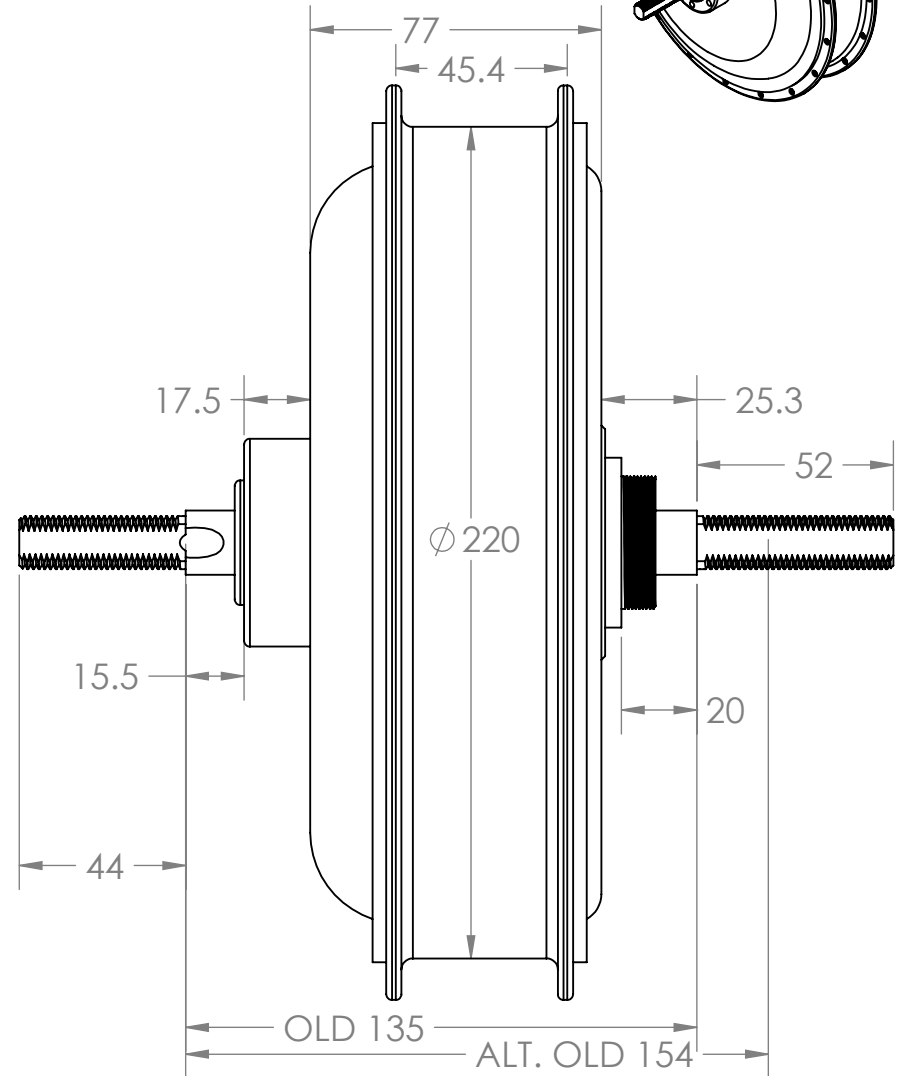
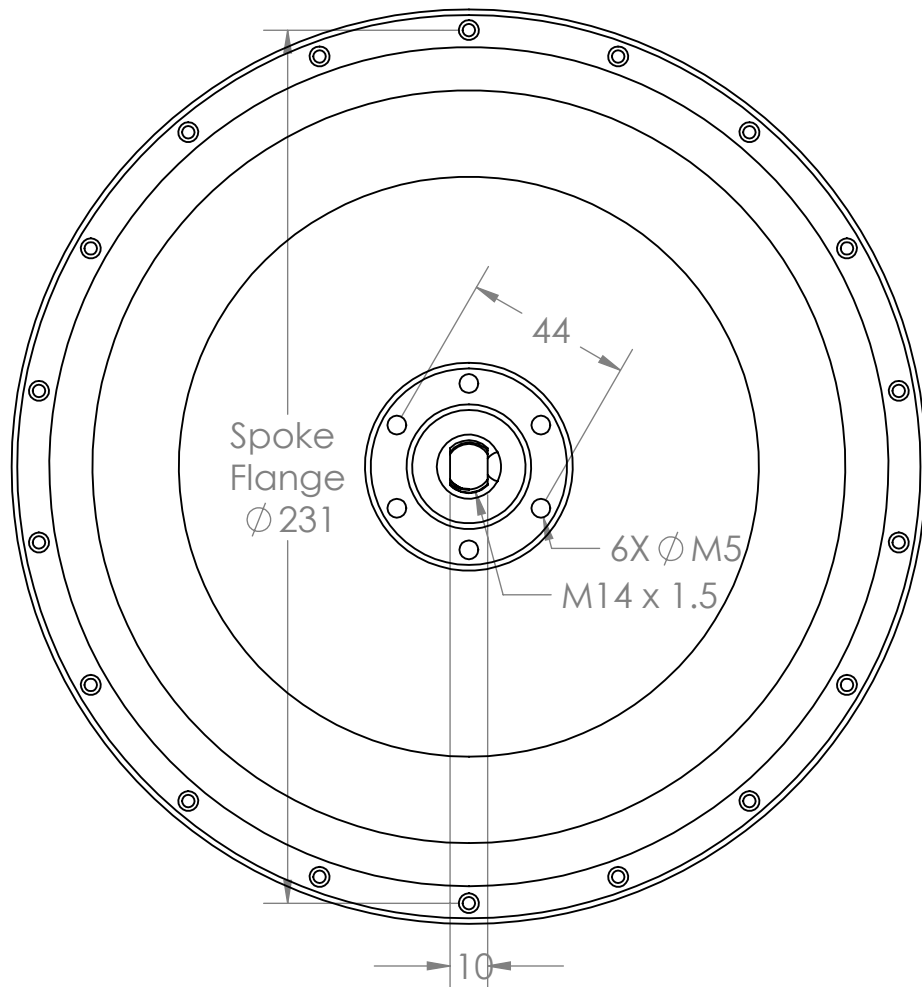


SCALE 1 :



PART NO:  
**XOFO DD45**

REVISION:  
 0

DRAWN: Justin L-E  
 DATE: Dec 2018

MATERIAL:  
 WEIGHT: 8.5 kg

DESCRIPTION:  
 Powerful Direct Drive Rear Hub Motor, 45mm Wide Stator. Fits 135mm Dropouts with Single Speed Freewheel. Space to 154mm for 7/8 Speed Freewheel

UNLESS OTHERWISE SPECIFIED:  
 DIMENSIONS IN MM  
 TOLERANCES  $\pm$   
 TWO PLACE DECIMAL  $\pm$

SURFACE FINISH:  
 SCALE: 1:2



PROPRIETARY AND CONFIDENTIAL  
 THE INFORMATION CONTAINED IN THIS DRAWING IS THE SOLE PROPERTY OF GRIN TECHNOLOGIES. ANY REPRODUCTION IN PART OR AS A WHOLE WITHOUT THE WRITTEN PERMISSION OF GRIN TECHNOLOGIES IS PROHIBITED.